

Size 5/8", 3/4" and 1"

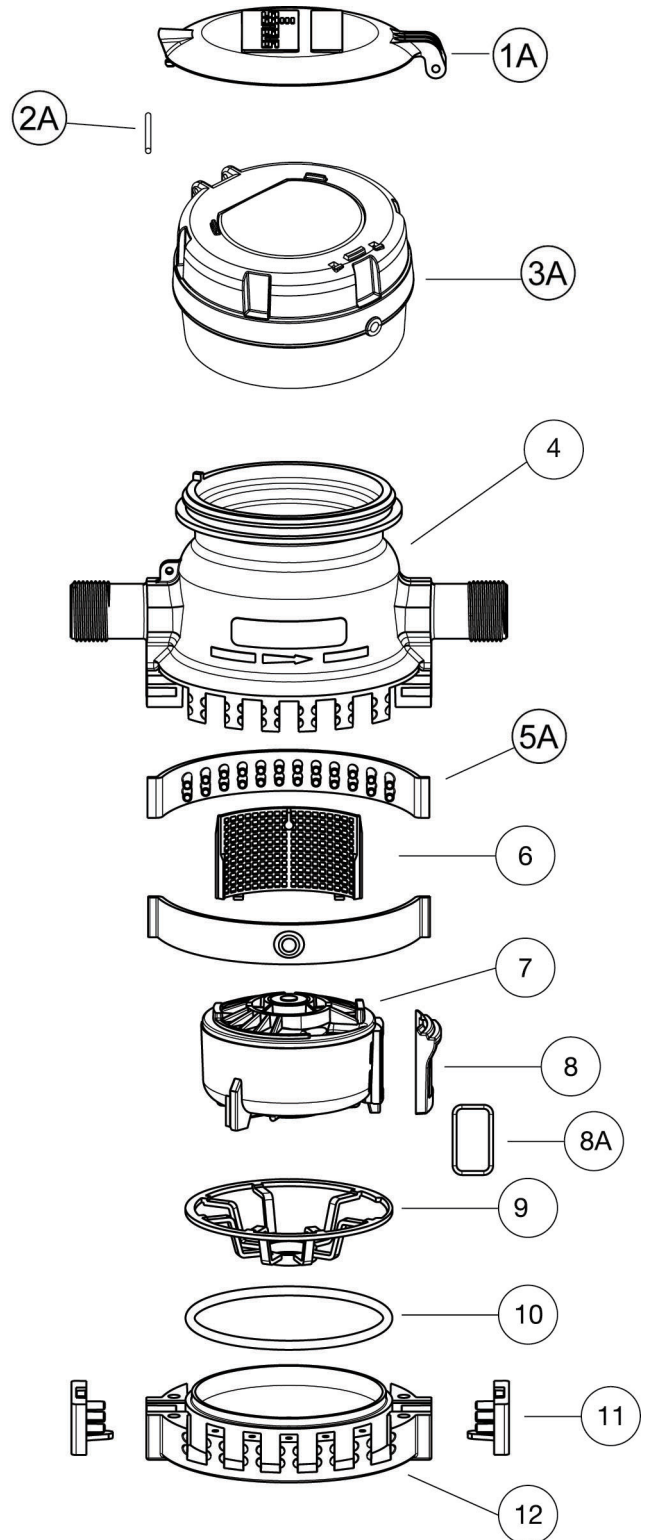
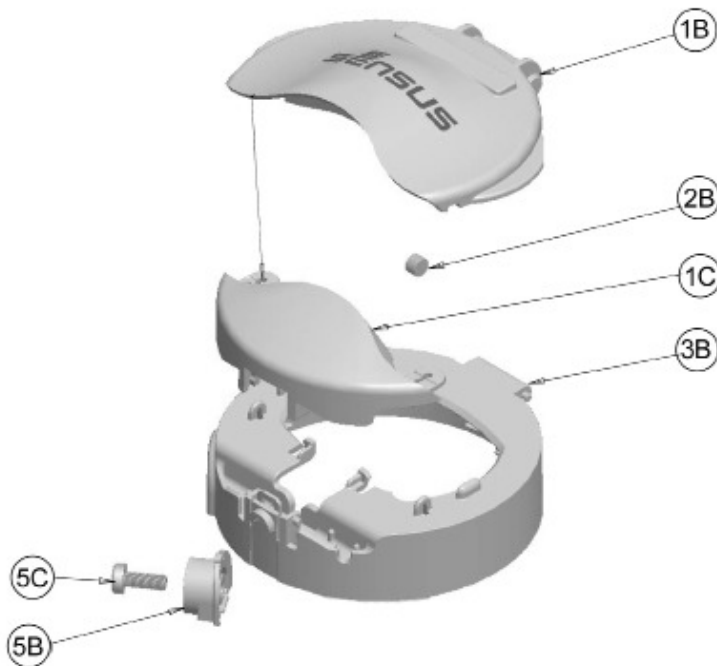


### accuSTREAM Meters

Size 5/8"

#### NOTES:

Prices F.O.B. Factory – subject to change without notice and such discounts as market conditions allow.

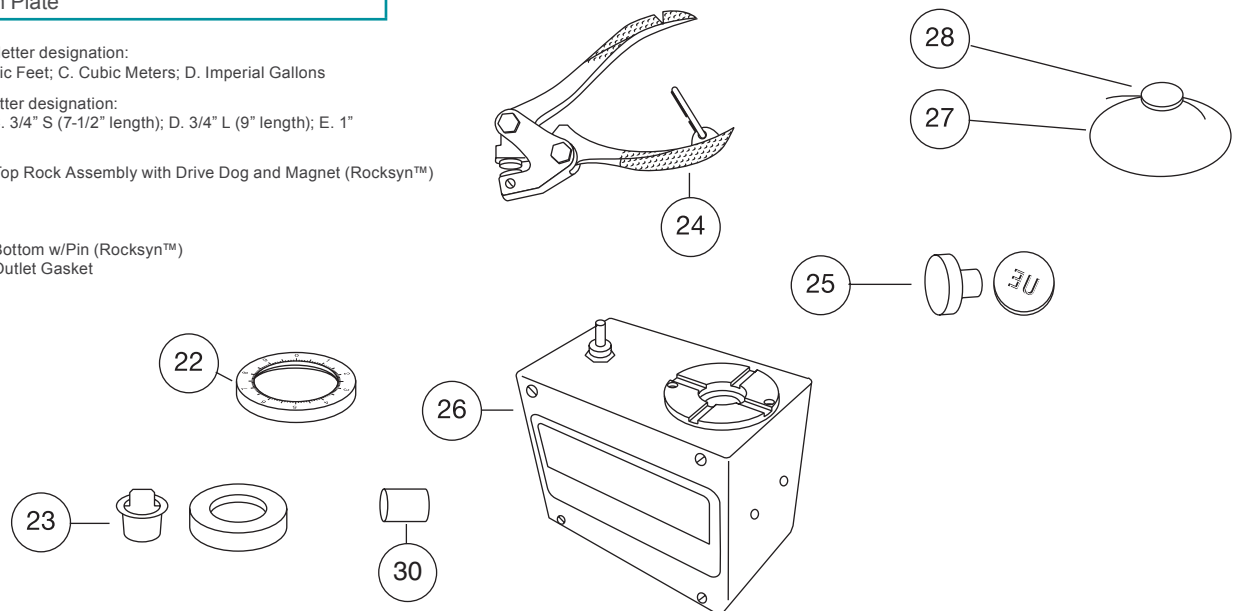


## accuSTREAM Meters

### Size 5/8", 3/4" and 1"

ILL. No.	Name of Part
1A	Register Cover
1B	Electronic Register Lid
1C	Electronic Register TR Cover
2A	Hinge Pin
2B	Electronic Register Magnet
3A	ICE-Opto Register <sup>1</sup>
3B	Electronic Register Bonnet
4	Maincase <sup>2</sup>
5A	Locking Ring
5B	Electronic Register Lock
5C	Electronic Register Screw
6	Screen
7A	Measuring Chamber, Complete, Tested (Rocksyn™) with rubber division plate <sup>3</sup>
7B	Measuring Chamber, Complete, Tested (Rocksyn™) with plastic division plate <sup>3</sup>
8	Spacer
8A	Seal (only on 3/4" and 1")
9	Spring Ring (only on 5/8")
10	O-Ring
11	Seal
12	Bottom Plate

- Specify registration by letter designation:  
A. U.S. Gallons; B. Cubic Feet; C. Cubic Meters; D. Imperial Gallons
- Specify Spud size by letter designation:  
A. 5/8"; B. 5/8" x 3/4"; C. 3/4" S (7-1/2" length); D. 3/4" L (9" length); E. 1"
- Includes:
  - Measuring Chamber Top Rock Assembly with Drive Dog and Magnet (Rocksyn™)
  - Piston
  - Division Plate
  - Control Roller
  - Measuring Chamber Bottom w/Pin (Rocksyn™)
  - Measuring Chamber Outlet Gasket



## ACCESSORY EQUIPMENT

ILL. No.	Name of Part
22	Test Rings for Standard Register
23	Thread Protectors—5/8"-1"
24	Sealing Tool
25	Sealing Tool Die
26	Register Tester
27	Sealwire 24" Length
28	Lead Seal
29	Seal Wire 1000 ft. Spool, Not Shown
30	1/4" Drive Security Socket

© All products purchased and services performed are subject to Sensus' terms of sale, available at either; <http://na.sensus.com/TC/TermsConditions.pdf> or 1-800-METER-IT. Sensus reserves the right to modify these terms and conditions in its own discretion without notice to the customer.

This document is for informational purposes only, and SENSUS MAKES NO EXPRESS WARRANTIES IN THIS DOCUMENT. FURTHERMORE, THERE ARE NO IMPLIED WARRANTIES, INCLUDING WITHOUT LIMITATION, WARRANTIES AS TO FITNESS FOR A PARTICULAR PURPOSE AND MERCHANTABILITY. ANY USE OF THE PRODUCTS THAT IS NOT SPECIFICALLY PERMITTED HEREIN IS PROHIBITED.