

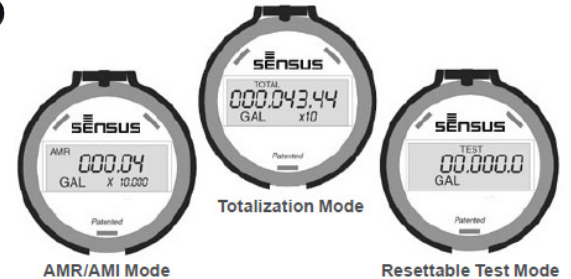
# OMNI™ F<sup>2</sup> Fireline Bypass Retrofit Meter

## Data Sheet

## Description

### 1 1/2" or 2" Size

The OMNI F<sup>2</sup> Fireline Bypass Retrofit Meter is based on either a 1 1/2" or 2" OMNI F<sup>2</sup> meter with advanced Floating Ball Technology (FBT). It is designed and approved to be used for Sensus Legacy W-Series compact and standard fireline bypass meter assemblies only\*.



## Features

### CONFORMANCE TO STANDARDS

The retrofit meter meets and far exceeds the most recent revision of ANSI / AWWA Standard C703 standards. Each meter is performance tested to ensure compliance. All OMNI meters are NSF approved to the latest standards. The installation of an OMNI F<sup>2</sup> Fireline Bypass Retrofit Meter will continue the UL Listing and FM approvals of the Legacy W-Series fireline meter assemblies as originally installed.

### PERFORMANCE

Meter assemblies shall have performance capabilities of continuous operation up to the rated maximum flows as listed below without affecting long-term accuracy or causing any undue component wear. All meter assemblies shall also have a 25% flow capacity in excess of the maximum flows listed for intermittent flow demands. Maximum headloss through the meter assemblies shall not exceed those listed in the following table based on meter size. The patented measurement principles of the OMNI F<sup>2</sup> Fireline Bypass Retrofit Meter ensure enhanced accuracy ranges, an overall greater accuracy, and a longer service life than any other comparable class meter produced.

### CONSTRUCTION

The retrofit meter consists of one basic assembly, the OMNI F<sup>2</sup> bypass meter. The OMNI maincase is made from industry proven ductile iron with an approved NSF epoxy coating.

### REGISTERS

The OMNI electronic register consists of a hermetically sealed register with an electronic pickup containing no mechanical gearing. The large character LCD displays AMR, Totalization and a Resettable Test Totalizer. OMNI register features include: AMR resolution units that are fully programmable, data logging capabilities, large, easy-to-read LCD that displays both forward and reverse flow directions and a 10-year battery life guarantee.

### 1-1/2" & 2" OMNI F<sup>2</sup> FIRELINE RETROFIT METER HARDWARE

1- 1 1/2" or 2" OMNI F<sup>2</sup> Fireline Bypass Retrofit Meter (size must be the same as existing bypass meter size) kit includes flange gaskets and installation hardware.

1- (Optional) - Epoxy coated spacer (with gasket and installation hardware)

- Spacer supplied only if replacing a flanged SR meter bypass assembly

All hardware is 304 stainless steel. 316 stainless steel hardware is available upon request.

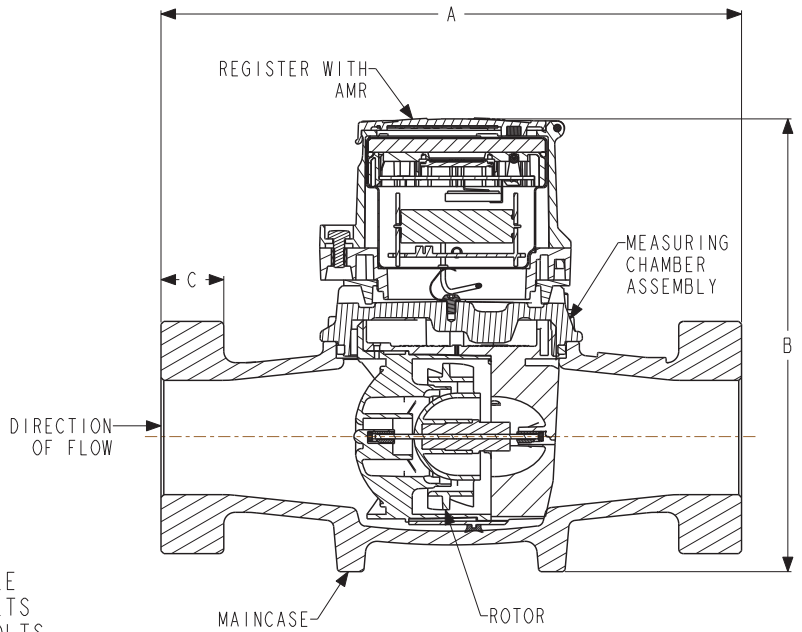
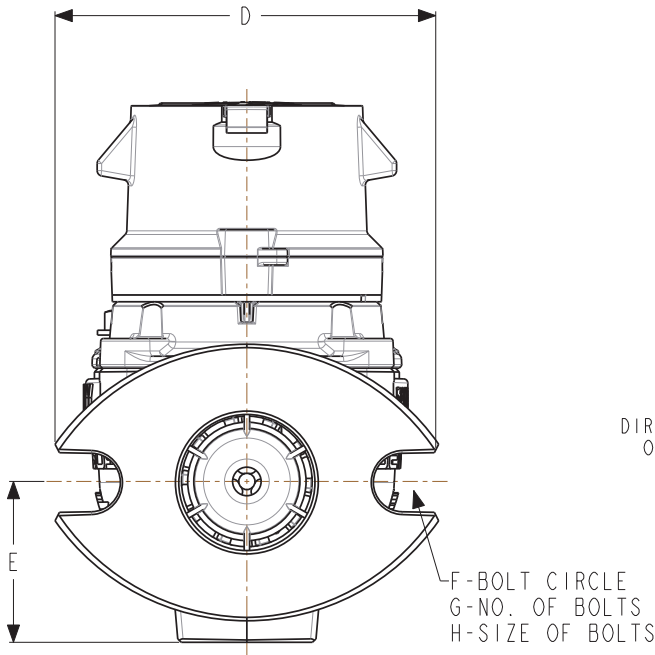
### MAGNETIC DRIVE

Meter registration is achieved by utilizing a fully magnetic pickup system. This is accomplished by the magnetic actions of the embedded rotor magnets and the ultra sensitive register pickup probe.

### GUARANTEE

Sensus OMNI F<sup>2</sup> Fireline Bypass Retrofit Meters are backed by "The Sensus Guarantee." Ask your Sensus representative for details or see Bulletin G-500.

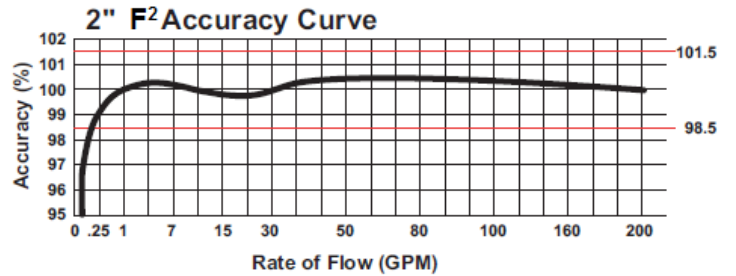
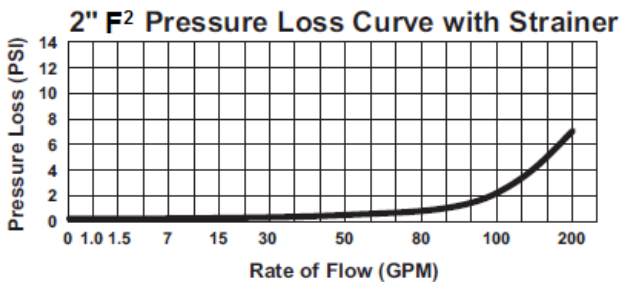
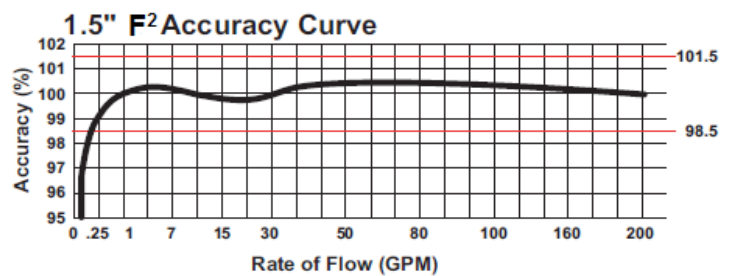
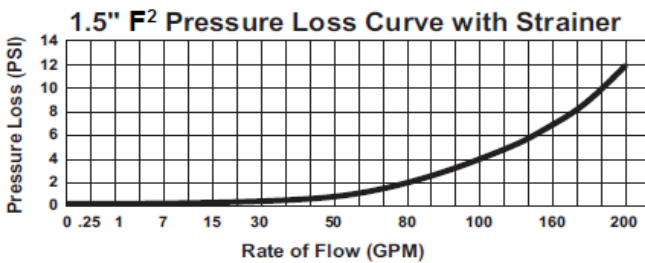
\*The OMNI F<sup>2</sup> Fireline Bypass Retrofit Meter is not intended for standalone fire protection systems.



### MEASUREMENTS AND FLOW RATES

Meter Size	Normal Operating Range	Low Flow	Maximum Intermittent Operation	Connections	A	B	C	D	E	F	G	H
1 1/2"	0.5 - 200 gpm (0.11-45 m <sup>3</sup> /hr)	0.25 gpm	200 gpm	Flange	10" 254mm	7.8" 198mm	1" 25mm	5.1" 130mm	2.3" 58mm	4" 102mm	2	1/2"
2"	0.5 - 200 gpm (0.11-45 m <sup>3</sup> /hr)	0.25 gpm	200 gpm	Flange	10" 254mm	7.8" 198mm	1.1" 28mm	5.5" 140mm	2.3" 58mm	4.5" 114mm	2	5/8"

### HEADLOSS CURVES



© All products purchased and services performed are subject to Sensus' terms of sale, available at either; <http://na.sensus.com/TC/TermsConditions.pdf> or 1-800-METER-IT. Sensus reserves the right to modify these terms and conditions in its own discretion without notice to the customer.

This document is for informational purposes only, and SENSUS MAKES NO EXPRESS WARRANTIES IN THIS DOCUMENT. FURTHERMORE, THERE ARE NO IMPLIED WARRANTIES, INCLUDING WITHOUT LIMITATION, WARRANTIES AS TO FITNESS FOR A PARTICULAR PURPOSE AND MERCHANTABILITY. ANY USE OF THE PRODUCTS THAT IS NOT SPECIFICALLY PERMITTED HEREIN IS PROHIBITED.