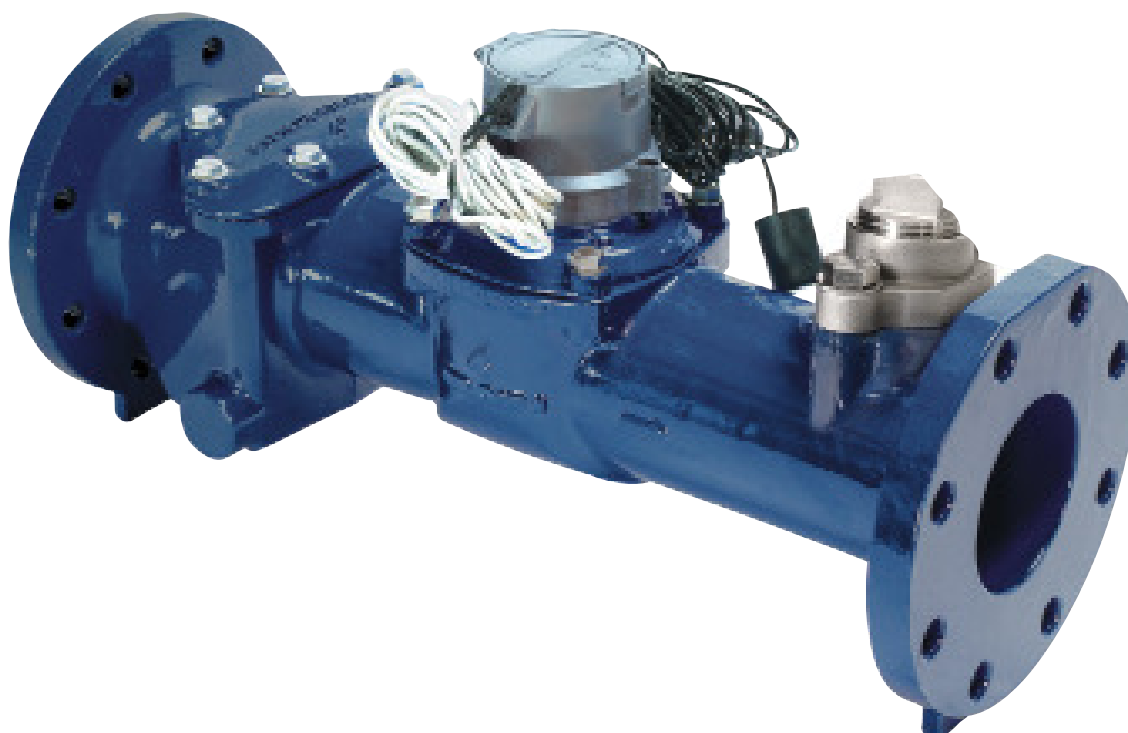
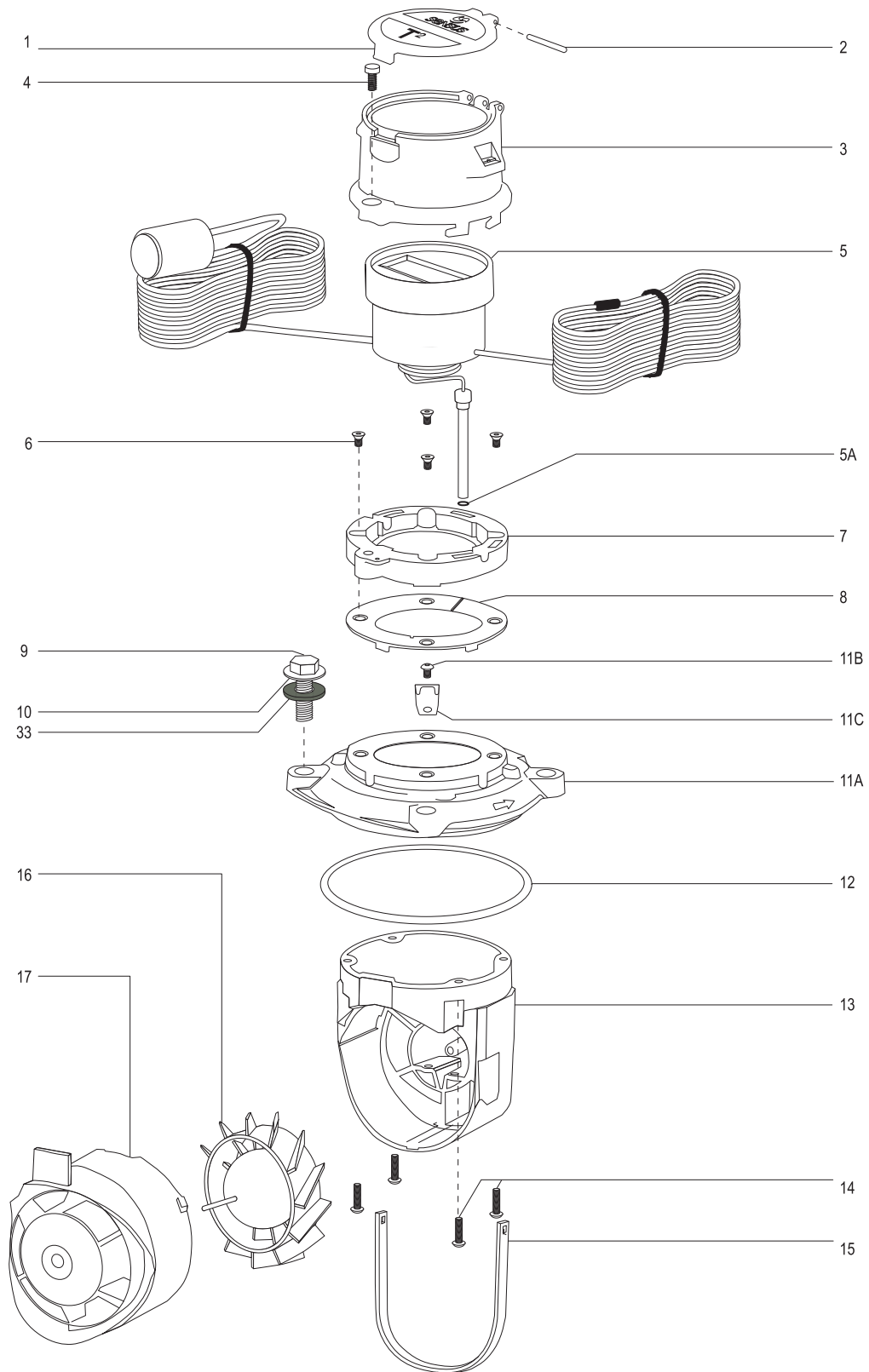


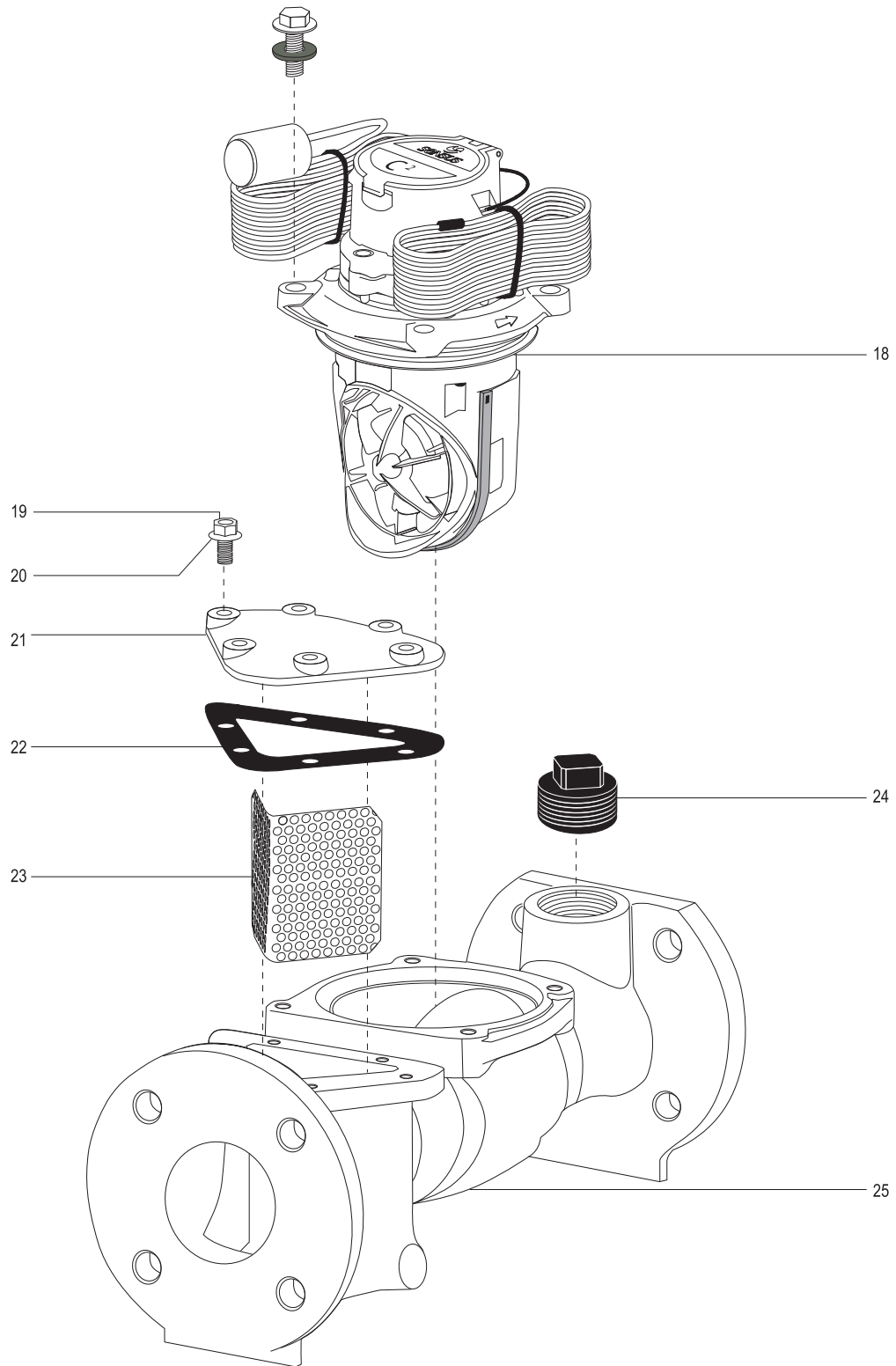
OMNI T²: 1-1/2", 2", 3", 4", 6", 8" and 10"



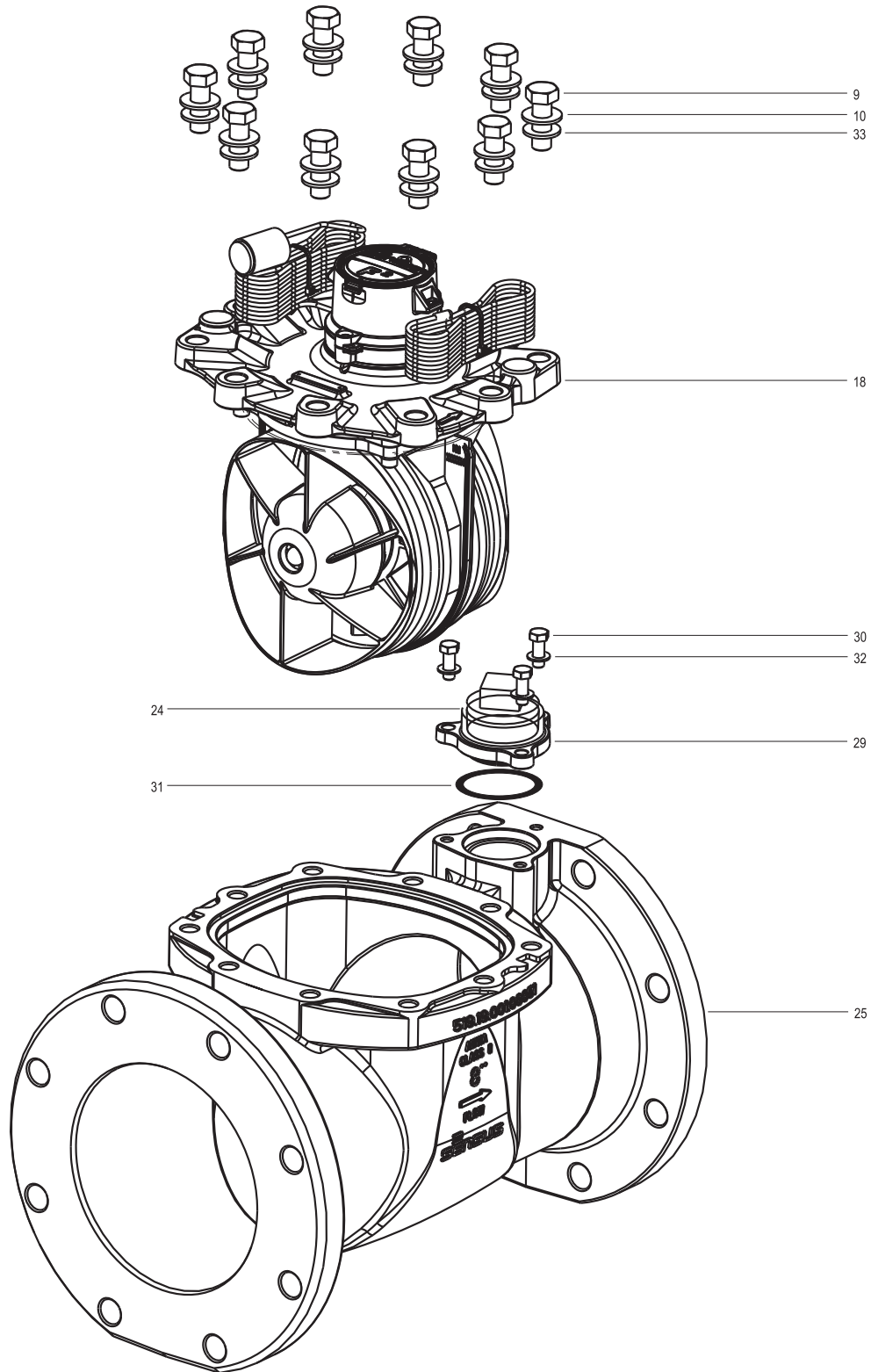
OMNI T²: 1-1/2", 2", 3", 4", 6", 8" and 10"



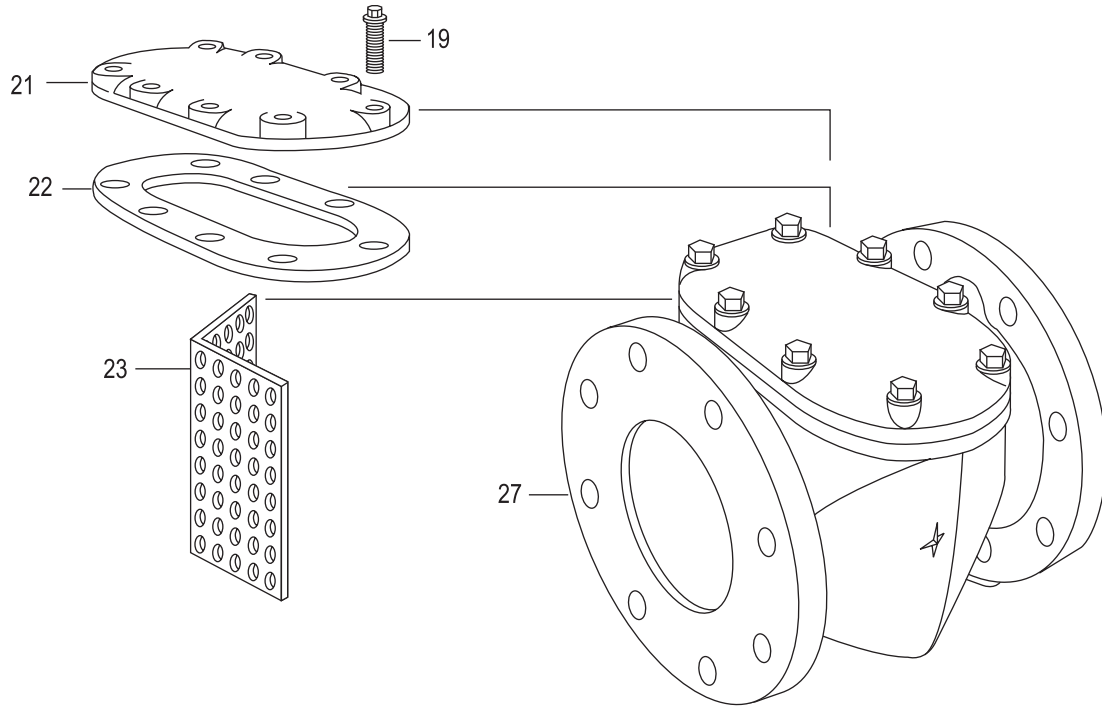
OMNI T²: 1-1/2", 2", 3", 4" and 6"



OMNI T²: 8" and 10"



OMNI T²: 8" and 10"



OMNI T²: 1-1/2", 2", 3", 4", 6", 8" and 10"

ILL. No.	Name of Part
1	T ² Bonnet Lid
2	Hinge Pin
3	Bonnet
4	Bonnet Seal Screw
5	Register
5A	Register Pick-Up Probe O-Ring
6	Locking Ring Screw
7	Locking Ring
8	Fixing Ring
9	Chamber Cover Bolt
10	Chamber Cover Bolt Washer
11A	Chamber Cover
11B	Screw, Spring Hold Down
11C	Spring
12	Chamber Cover O-Ring or Gasket
13	Measuring Insert
14	Measuring Insert Screw
15	Chamber Seal Gasket (not required on 10")
16	T ² Rotor
17	T ² Balance Plate
18	Measuring Chamber
19	Strainer Cover Cap Screw
20	Strainer Cover Bolt Washer
21	Strainer Cover
22	Strainer Cover Gasket
23	Strainer Screen
24	Test Plug
25	T ² Maincase
27	Strainer Body
28	Test Port Cap (not shown)
29	Test Port Cap Adapter
30	Test Port Cap Screws
31	Test Port O-Ring
32	Test Port Washer
33	Chamber Cover Washer — Black Nylon

© All products purchased and services performed are subject to Sensus' terms of sale, available at either; <http://na.sensus.com/TC/TermsConditions.pdf> or 1-800-METER-IT. Sensus reserves the right to modify these terms and conditions in its own discretion without notice to the customer.

This document is for informational purposes only, and SENSUS MAKES NO EXPRESS WARRANTIES IN THIS DOCUMENT. FURTHERMORE, THERE ARE NO IMPLIED WARRANTIES, INCLUDING WITHOUT LIMITATION, WARRANTIES AS TO FITNESS FOR A PARTICULAR PURPOSE AND MERCHANTABILITY. ANY USE OF THE PRODUCTS THAT IS NOT SPECIFICALLY PERMITTED HEREIN IS PROHIBITED.