

## Sizes 5/8" through 1"

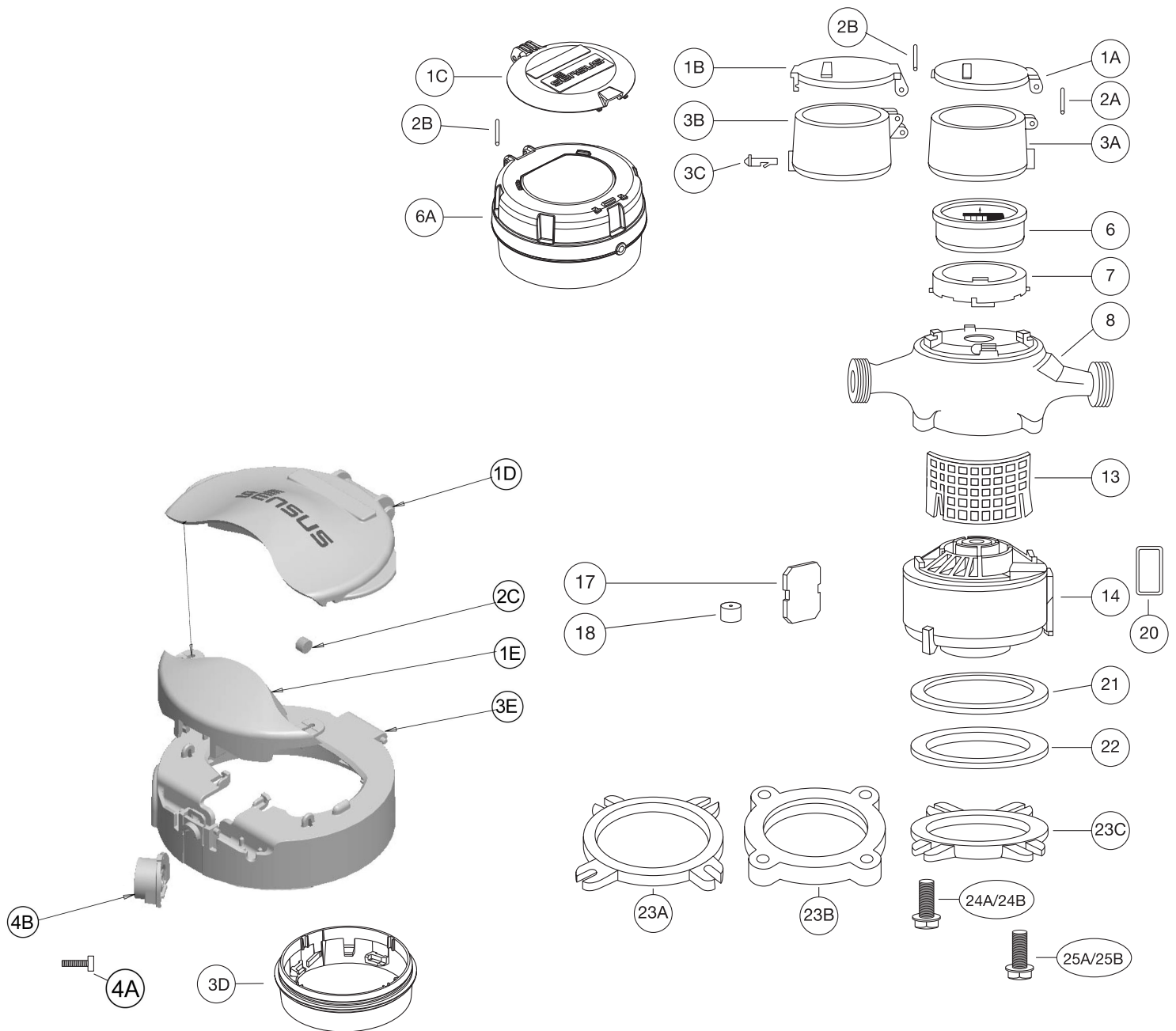


## SR II® Water Meters

Sizes 5/8" through 1"

### NOTES:

Prices F.O.B. Factory— subject to change without notice and such discounts as market conditions allow.



## SR II® Water Meters

Sizes 5/8" through 1"

ILL. No.	Name of Part
1A	Register Lid - Bronze <sup>1</sup>
1B	Register Lid - Plastic <sup>1</sup>
1C	Register Lid - Plastic (ICE-Opto)
1D	Electronic Register Lid
1E	Electronic Register TR Cover
2A	Hinge Pin—Bronze Lid <sup>1</sup>
2B	Hinge Pin—Plastic Lid <sup>1</sup>
2C	Electronic Register Magnet
3A	Register Bonnet—Bronze <sup>1</sup>
3B	Register Bonnet—Plastic Screw <sup>1</sup>
3C	Register Bonnet—Plastic Pin <sup>1</sup>
3D	Bayonet Ring for ICE-Opto or Electronic Register
3E	Electronic Register Bonnet
4A	Tamper Resistant Screw <sup>4</sup>
4B	Electronic Register Lock
5	Tamper Detection Pin <sup>2</sup>
6	Sealed Register <sup>5</sup>
6A	ICE-Opto Register <sup>5</sup>
7	Register Retaining Ring
8	Maincase <sup>3</sup>
13	Strainer
14	Measuring Chamber, Complete, Tested (Rocksyn™) includes: <ul style="list-style-type: none"> <li>• Measuring Chamber Top Rock Assembly with Drive Dog and Magnet (Rocksyn™)<sup>6</sup></li> <li>• Piston<sup>6</sup></li> <li>• Division Plate<sup>6</sup></li> <li>• Control Roller<sup>6</sup></li> <li>• Measuring Chamber Bottom w/Pin (Rocksyn™)<sup>6</sup></li> <li>• Measuring Chamber Outlet Gasket</li> </ul>

ILL. No.	Name of Part
17	Division Plate
18	Control Roller
20	Measuring Chamber Outlet Gasket
21	Bottom Plate Gasket
22	Bottom Plate Liner
23A	Bottom Plate—Cast Iron
23B	Bottom Plate—Plastic
23C	Bottom Plate—Bronze
24A	Maincase Cap Screw—Stainless, Washerhead
24B	Maincase Cap Screw—Stainless, Washerhead-Drilled
25A	Maincase Capscrew—Bronze, Washerhead
25B	Maincase Capscrew—Bronze-Drilled, Washerhead-Drilled

## ACCESSORY EQUIPMENT

ILL. No.	Name of Part
26	Spanner Wrench
27	1/4" Drive Security Socket
28	Test Rings for Standard Register
29	Thread Protectors—5/8"-1"
30	Sealing Tool
31	Sealing Tool Die
32	Register Tester
33	Sealwire 24" Length
34	Lead Seal
35	Seal Wire 1000 ft. Spool, Not Shown
36	SRII Wrench

<sup>1</sup> Bronze Lids must be used with Bronze Bonnets and Plastic Lids with Plastic Bonnets.

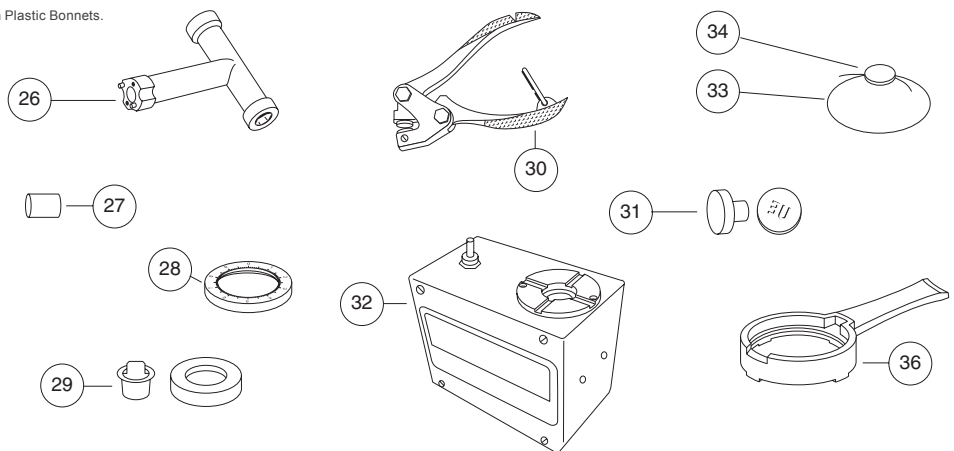
<sup>2</sup> Can be used only with Plastic Register Bonnet.

<sup>3</sup> Specify Spud size by letter designation:  
 A. 5/8"; B. 5/8" x 3/4"; C. 3/4"; D. 3/4" x 1"; E. 1"; F. 1" x 1-1/4"  
 For 3/4" Maincase specify 9" or 7-1/2" laying length;  
 7-1/2" length is available only with 3/4" spud. • Control Roller

<sup>4</sup> Requires a 1/4" drive tool (not supplied) for use with Ill. #4

<sup>5</sup> Specify registration by letter designation:  
 A. U.S. Gallons; B. Cubic Feet; C. Cubic Meters; D. Other

<sup>6</sup> Included in measuring chamber complete. (Ill. #14)



© All products purchased and services performed are subject to Sensus' terms of sale, available at either; <http://na.sensus.com/TC/TermsConditions.pdf> or 1-800-METER-IT. Sensus reserves the right to modify these terms and conditions in its own discretion without notice to the customer.

This document is for informational purposes only, and SENSUS MAKES NO EXPRESS WARRANTIES IN THIS DOCUMENT. FURTHERMORE, THERE ARE NO IMPLIED WARRANTIES, INCLUDING WITHOUT LIMITATION, WARRANTIES AS TO FITNESS FOR A PARTICULAR PURPOSE AND MERCHANTABILITY. ANY USE OF THE PRODUCTS THAT IS NOT SPECIFICALLY PERMITTED HEREIN IS PROHIBITED.