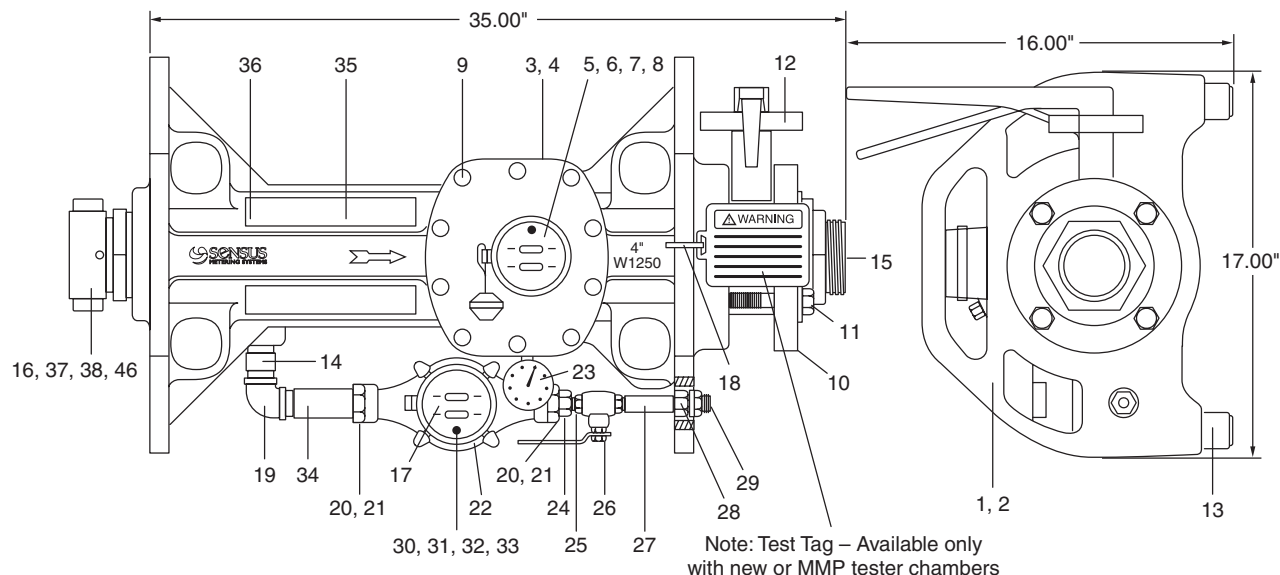


Portable Meter Tester Assembly

W-1250 Parts List



Item No.	Description	No. Required Per Tester	Item No.	Description	No. Required Per Tester
1	W-1250 Maincase - Portable Meter Tester	1	24	3/4" x 1/4" Adapter, Bronze	1
2	W-1000 Flow Straightener	1	25	1/4" Closed Nipple, Brass	1
3	W-1250 RER Measuring Chamber - with RER Register	1	26	1/4" Ball Valve	1
4	W-1000 Main Flange Gasket	1	27	1/4" x 4" Brass Nipple	1
5	W-1250 RER Register Assembly - Replacement	1	28	3/4" x 1/4" Hex Reducing Bushing	1
6	5/8" SR Register Gasket	1	29	3/4" Hose Coupling, Brass	1
7	Register O-Ring	1	30	Reset Button - Replacement for all RER's	1
8	Register Jam Nut	1	31	Screw for Reset Button	1
9	Main Flange Capscrew 3/8" - 16 x 1"	10	32	Lock Washer for Reset Button	1
10	3" End Plate Flange	1	33	Cover, Reset Button, Clear Plastic with Hole	1
11	End Plate Capscrew 5/8" - 11 x 8"	4	34	3/4" Straight Connection	1
12	3" Butterfly Valve	1	35	W-1250 Warning Tag	2
13	Bumper Foot, Rubber-Steel Core	4	36	Drive Screw - for Retaining #35	8
14	3/4" x 2" Pipe Nipple	1	37	Screen - for 2 1/2" Swivel Coupling	1
15	3" NPT x 2 1/2" NST Hex Coupling Adapter	1	38	Clip Ring, to Retain #37	1
16	Swivel Coupling Assembly - 2 1/2" NST Female	1	39	Adapter, Test Nipples to 2 1/2" Fire Hose (Not Shown)	1
17	SRII RER Register Assembly - Replacement	1	40	Test Nipple, 1" Pipe - Use with #39 (Not Shown)	1
18	Plastic Zip Tie	1	41	Test Nipple, 1 1/2" Pipe - Use with #39 (Not Shown)	1
19	3/4" Pipe Elbow	1	42	Test Nipple, 2" Pipe - Use with #39 (Not Shown)	1
20	3/4" Union Nut, Bronze	2	43	Spanner Wrench, For Hose Couplings (Not Shown)	1
21	3/4" Connection Gasket	2	44	Test Ring, for Direct Read Registers (Not Shown)	1
22	5/8" x 3/4" SRII Meter Assembly with RER Register	1	45	Fire Hose, 2 1/2" x 25' Long (Not Shown)	1
23	Pressure Gage	1	46	Coupling Gasket	1