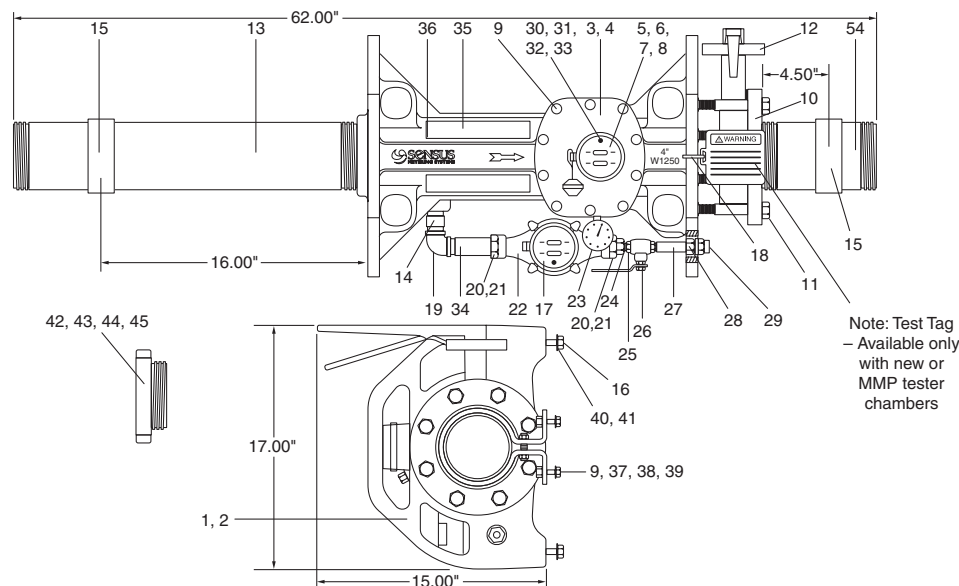


Portable Meter Tester Assembly

W-2500 Parts List



Item No.	Description	No. Required Per Tester	Item No.	Description	No. Required Per Tester
1	W-2500 Maincase - Portable Meter Tester	1	28	3/4" x 1/4" Hex Reducing Bushing	1
2	W-1000 Flow Straightener	1	29	3/4" Hose Coupling, Brass	1
3	W-1250 RER Measuring Chamber - with RER Register	1	30	Reset Button - Replacement for all RER's	1
4	W-1000 Main Flange Gasket	1	31	Screw for Reset Button	1
5	W-1250 RER Register Assembly - Replacement	1	32	Lock Washer for Reset Button	1
6	5/8" SR Register Gasket	1	33	Cover, Reset Button, Clear Plastic with Hole	1
7	Register O-Ring	1	34	3/4" Straight Connection	1
8	Register Jam Nut	1	35	W-1250 Warning Tag	2
9	Main Flange Capscrew 3/8" - 16 x 1"	16	36	Drive Screw - for Retaining #35	8
10	4" End Plate Flange	1	37	Nut, 3/8" UNC	6
11	End Plate Capscrew 5/8" - 11 x 8"	8	38	Washer, 3/8" SAE	6
12	4" Butterfly Valve	1	39	Lock Washer, 3/8"	6
13	Tube, Inlet - 24" Long	1	40	Washer, 1/2" SAE	4
14	3/4" x 2" Pipe Nipple	1	41	Lock Washer, 1/2"	4
15	Clamp, Pipe Support	2	42	Adapter Coupling, 4" Hose to Pipe Thread	1
16	Capscrew 1/2" - 1.50" Long	4	43	Screen, for 4" Adapter Coupling	1
17	SRII RER Register Assembly - Replacement	1	44	Clip Ring, to Retain #43	1
18	Plastic Zip Tie	1	45	Gasket, for 4" Fire Hose Swivel Cplg. (Not Shown)	1
19	3/4" Pipe Elbow	1	46	Adapter, Test Nipples to 4" Fire Hose (Not Shown)	1
20	3/4" Union Nut, Bronze	2	47	Test Nipple, 1" Pipe - Use with #46 (Not Shown)	1
21	3/4" Connection Gasket	2	48	Test Nipple, 1 1/2" Pipe - Use with #46 (Not Shown)	1
22	5/8" x 3/4" SRII Meter Assembly with RER Register	1	49	Test Nipple, 2" Pipe - Use with #46 (Not Shown)	1
23	Pressure Gage	1	50	Spanner Wrench, For Hose Couplings (Not Shown)	1
24	3/4" x 1/4" Adapter, Bronze	1	51	Test Ring, for Direct Read Registers (Not Shown)	1
25	1/4" Closed Nipple, Brass	1	52	Fire Hose, 4" x 25' Long (Not Shown)	1
26	1/4" Ball Valve	1	53	Mounting Template (Not Shown)	1
27	1/4" x 4" Brass Nipple	1	54	Tube, Outlet - 9" Long	1